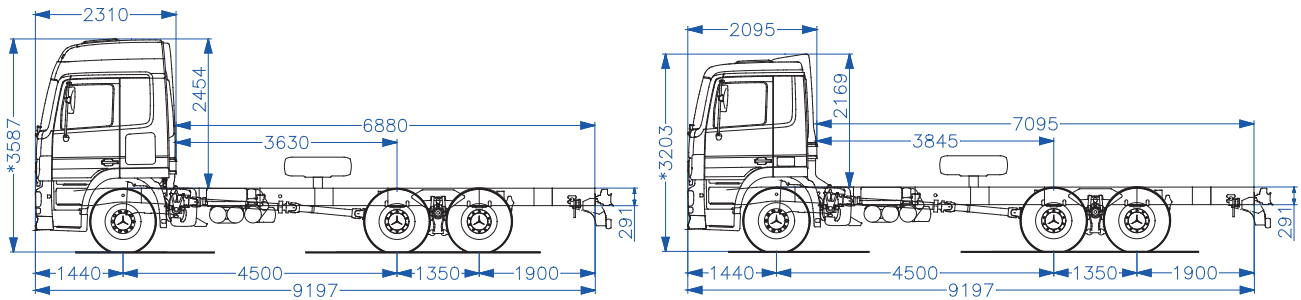




TASNEEM CARS

Import & Export Enterprises L.L.C.



Sleeper Cab

Medium Cab

Measurements for vehicle in unladen condition

ACTROS Chassis – Cab 4040 / 6 x 4 / 45, Sleeper / Medium Cab

Engine	V 6 engine OM 501 LA 290 KW (394 HP) 1800/rpm
Gearbox	Gearbox G 240-16 / 11.7-0.69 16 speed/splitter
PTO	Suitable for hydraulic pump
Clutch	Double – plate dry clutch
Front axle	Rigid stub axle 9 t, parabolic springs, stabilizer
Rear axles	Planetary axles 2 x 16 t, parabolic springs, stabilizer
Frame	Full length mono frame, rear tow coupling, vertical exhaust
Steering	Power steering
Brakes	Front/rear axle drum brakes, engine exhaust brake, Telligent braking system with ABS and ASR
Cab	SLEEPER / MEDIUM CAB with bunk, A/C, Radio – cassette, electrical window lifts, driver's air suspension seat, sun visor outside, tinted glass all round
Battery	Batteries 2 x 12 V, 165 AH
Fuel tank	550 liters aluminum with lock
Rims	Trilex rims 8.5 - 24
Tires	12.00 R 24

Subject to technical alterations