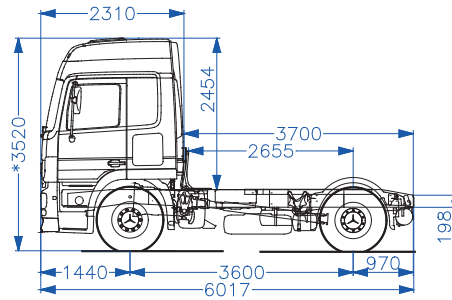


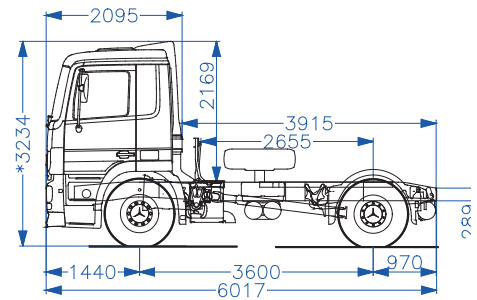


TASNEEM CARS

Import & Export Enterprises L.L.C.



Sleeper Cab



Medium Cab

Measurements for vehicle in unladen condition

ACTROS Truck – Tractor 2040 S / 4 x 2 / 36, Sleeper / Medium Cab

Engine	V 6 engine OM 501 LA 290 KW (394 HP) 1800/rpm
Gearbox	Gearbox G 210-16 / 11.7-0.69 16 speed/splitter
Clutch	Double – plate dry clutch
Front axle	Rigid stub axle 7.5 t, parabolic springs, stabilizer
Rear axle	Planetary axle 16 t (13 t), parabolic springs, stabilizer
Frame	Full length mono frame, rear tow coupling , vertical exhaust
Steering	Power steering
Brakes	Front/rear axle drum brakes, engine exhaust brake, Trailer retarding brake, Telligent braking system with ABS and ASR
Cab	SLEEPER / MEDIUM CAB with bunk, A/C, Radio – cassette, electrical window lifts, driver's air suspension seat, sun visor outside, tinted glass all round
Battery	Batteries 2 x 12 V, 165 AH
Fuel tank	550 liters aluminum with lock
Rims	Trilex rims 8.5 - 24 9.0 x 22.5
Tires	12.00 R 24 315 / 80 / R 22.5
Optional	Fifth wheel to customer's choice

Subject to technical alterations